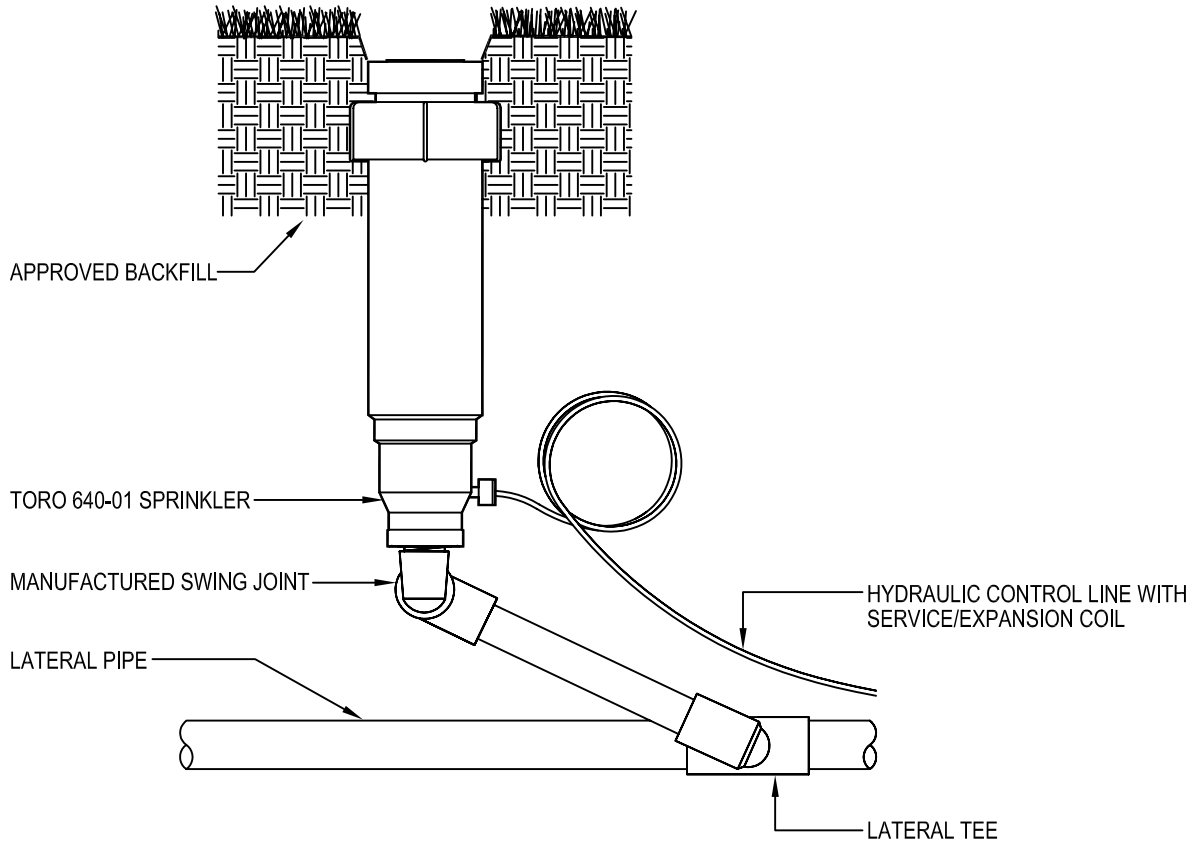




TORO-IRRIGATION DIVISION  
 5825 JASMINE STREET  
 RIVERSIDE, CA 92504  
 TOLL FREE: 1-800-664-4740  
 PHONE: (951) 785-3152  
 FAX: (951) 359-1870  
 www.toro.com



SECTION/ELEVATION  
 NOT TO SCALE

- SELECT DESIRED OPTION
- CHECK-O-MATIC
- VALVE-IN-HEAD (SHOWN)

- NOTES:**
1. INSTALLATION TO BE COMPLETED IN ACCORDANCE WITH MANUFACTURERS SPECIFICATIONS.
  2. DO NOT SCALE DRAWINGS.
  3. INSTALL SPRINKLER UP TO 1/2" BELOW FINISHED GRADE.
  4. CONTRACTORS NOTE: FOR PRODUCT AND COMPANY INFORMATION VISIT [www.CADdetails.com/info](http://www.CADdetails.com/info) REFERENCE NUMBER 065-032.

 **LT SPRINKLERS: 640 SERIES**  
 SINGLE-STREAM SPRINKLER, VALVE-IN-HEAD